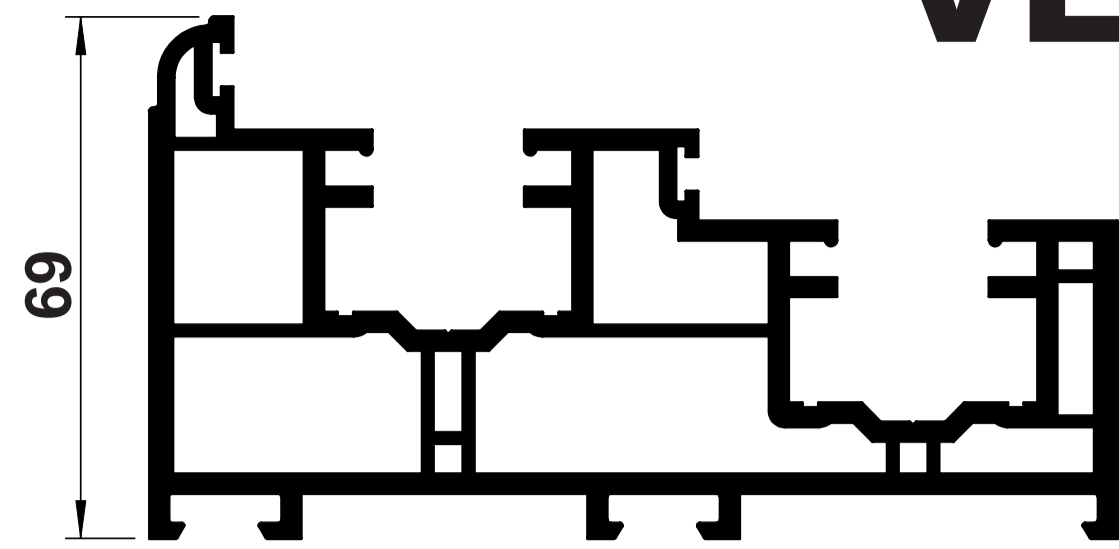
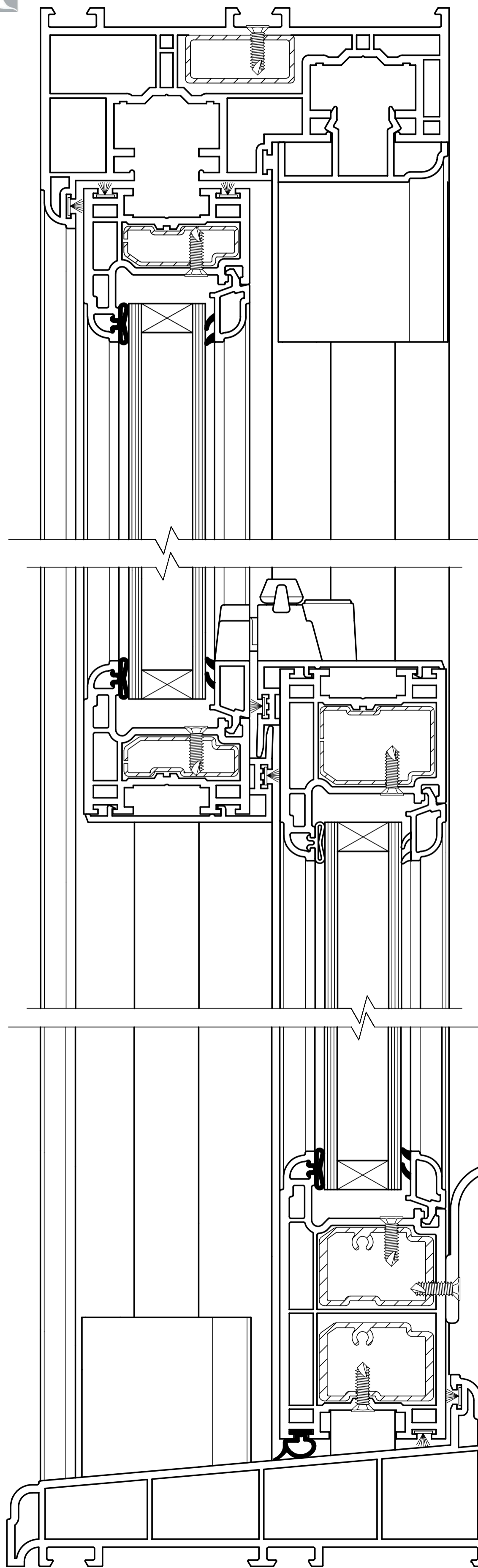
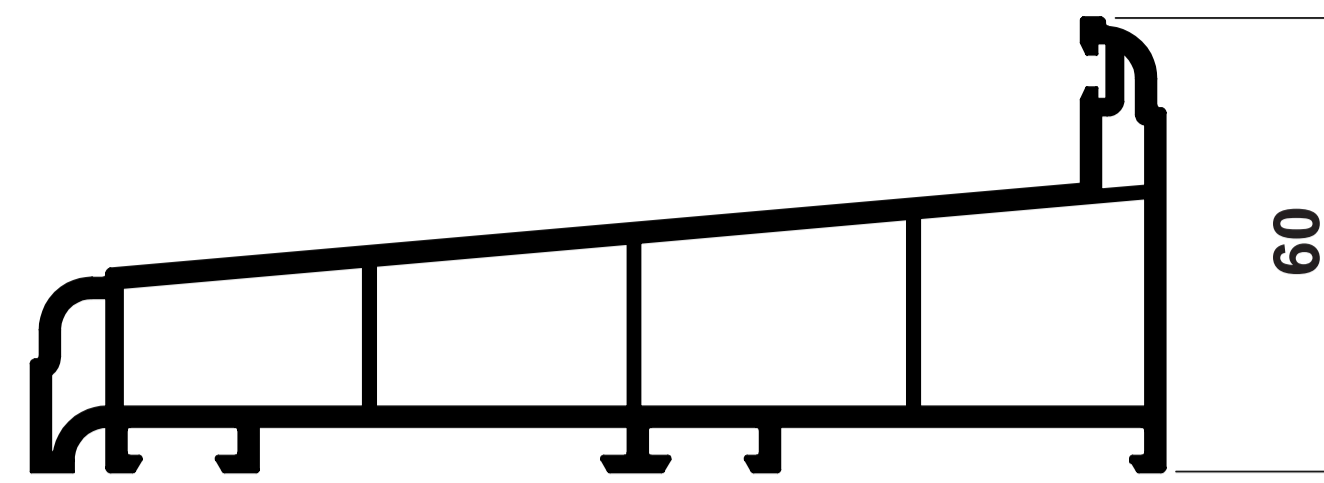


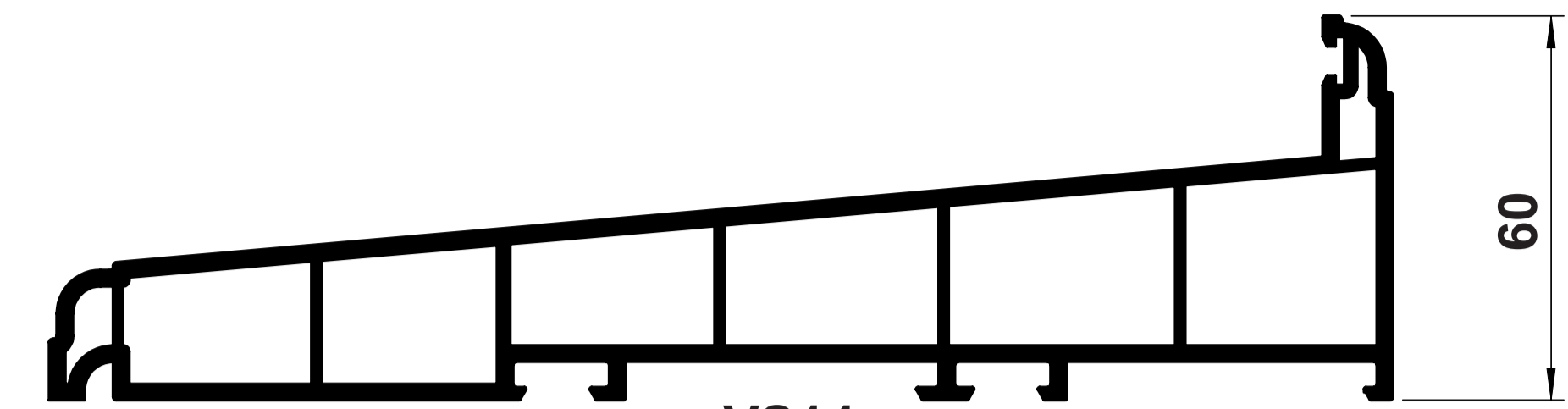
VERTICAL SLIDER



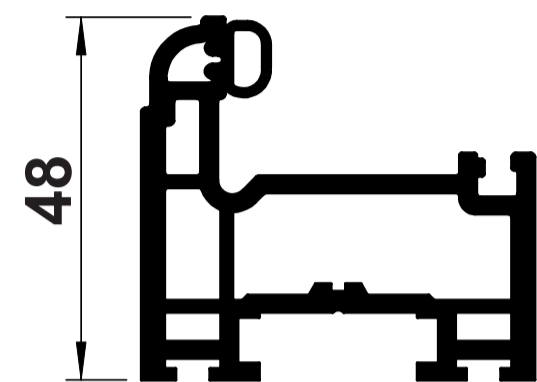
VS01
OUTER FRAME (128mm)



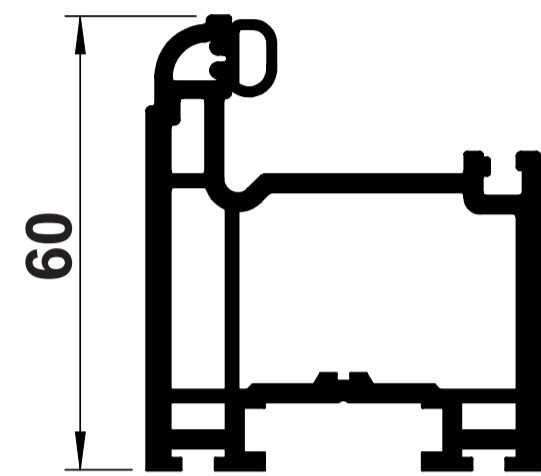
VS02
CILL (150mm)



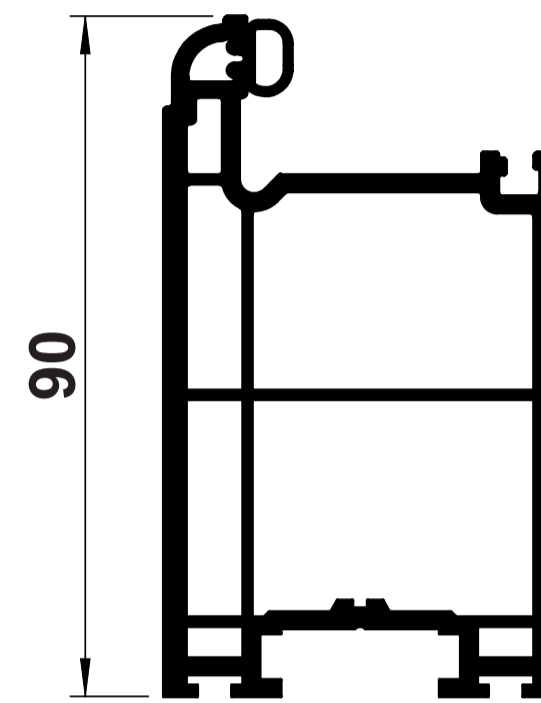
VS14
EXTENDED CILL (210mm)



VS03
SMALL SASH



VS04
STANDARD SASH



VS05
BOTTOM RAIL



VS06
SQUARE BEAD



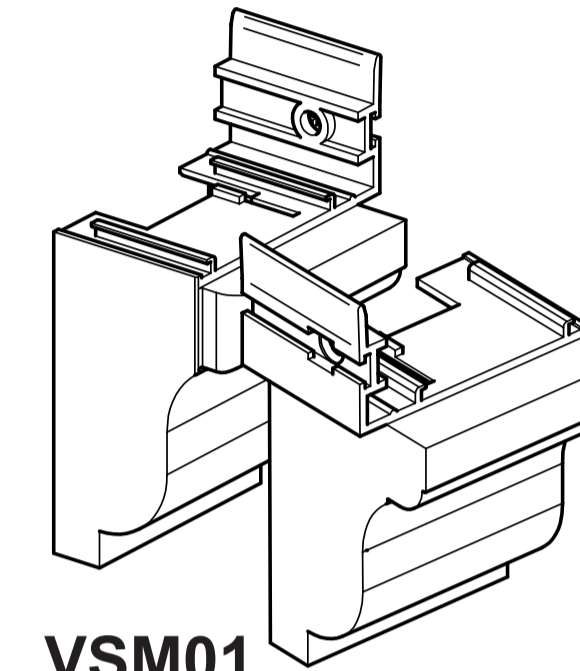
VS07
OVOLO BEAD



VS11
SMALL
GEORGIAN BAR



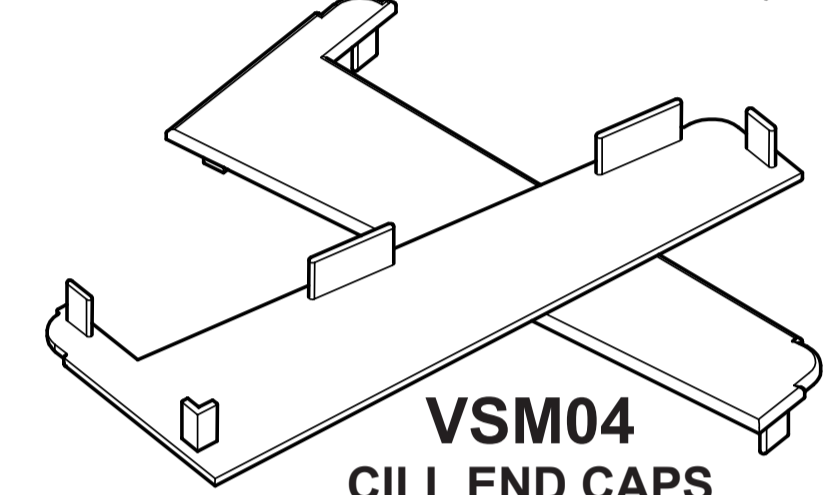
VS12
LARGE
GEORGIAN BAR



VSM01
DECORATIVE HORNS



VSM14
CILL END CAPS



VSM04
CILL END CAPS



VS09
INTERLOCK



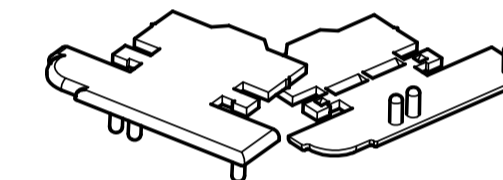
VS10
SASH STOP



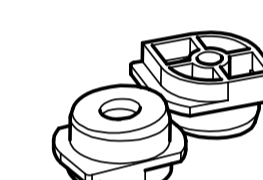
VS15
WOOLPILE INFILL



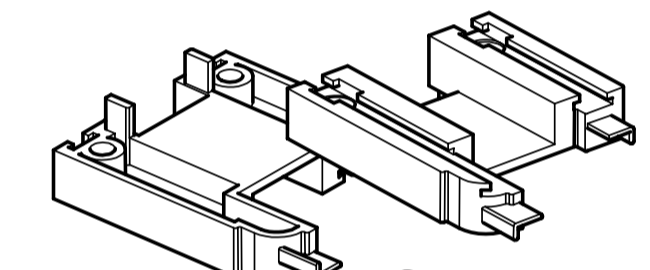
VS13
WOODGRAIN COVER TRIM



VSM02
SASH STOP END CAPS



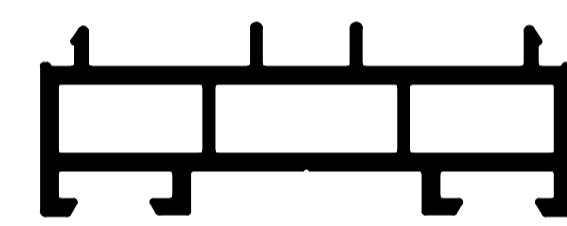
VSM05
SASH BLOCK



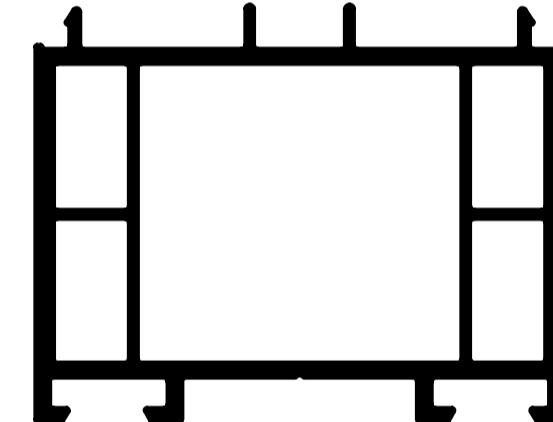
VSM06
BOTTOM RAIL JOINT



VS20
'H' COUPLER



VS21
20mm FRAME PACKER



VS22
50mm FRAME PACKER



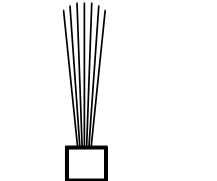
VS23
10mm ODD LEG
ADAPTOR



133400
GLAZING SEAL



133502
137502
BOTTOM SEAL



700618
700619
FRINGE SEAL



700601
PILE SEAL



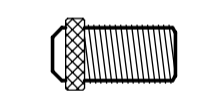
VSX03
THERMAL INSERT



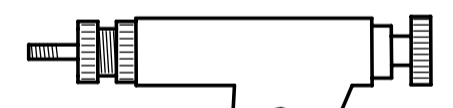
VSX04
THERMAL INSERT



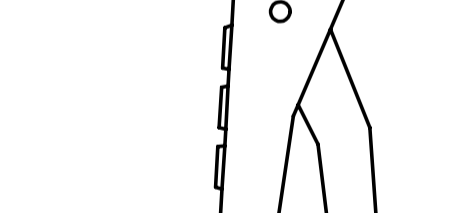
SW55
COVER CAP



900003
RIV NUT GUN
INSERT



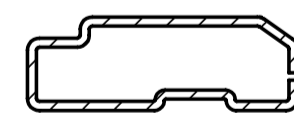
900001
BALANCE FIXING



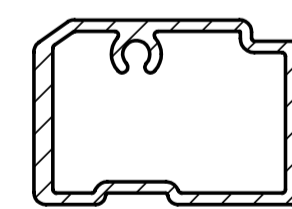
900002
RIV NUT GUN



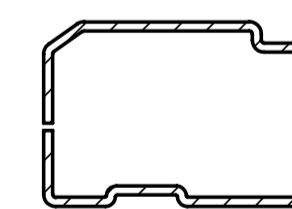
VSR11
OUTER FRAME
ALUMINIUM



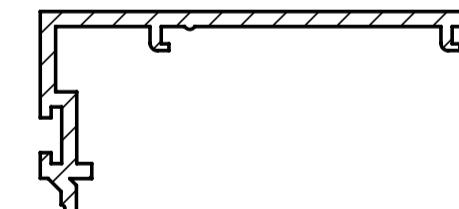
VSR3S
SMALL SASH
STEEL



VSR5
BOTTOM RAIL
ALUMINIUM



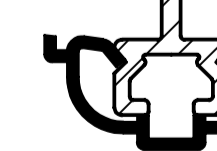
VSR44S
STANDARD SASH
STEEL



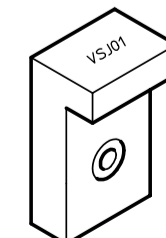
VSR9
ALUMINIUM
INTERLOCK



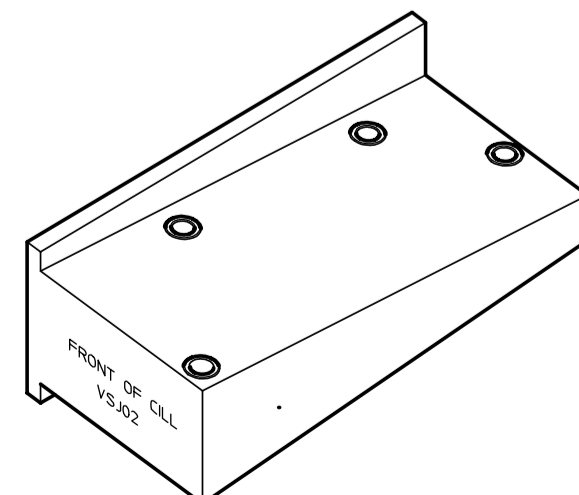
VSR85
ALUMINIUM
COUPLER



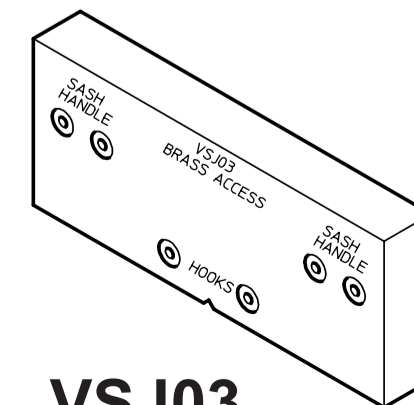
SW58
COVER CAP



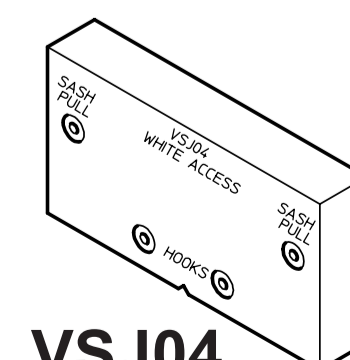
VSJ01
BALANCE
FIXING JIG



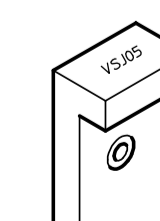
VSJ02
CILL JOINT JIG



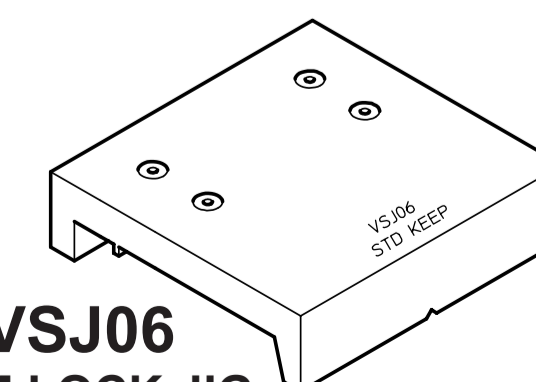
VSJ03
BRASS HANDLE JIG



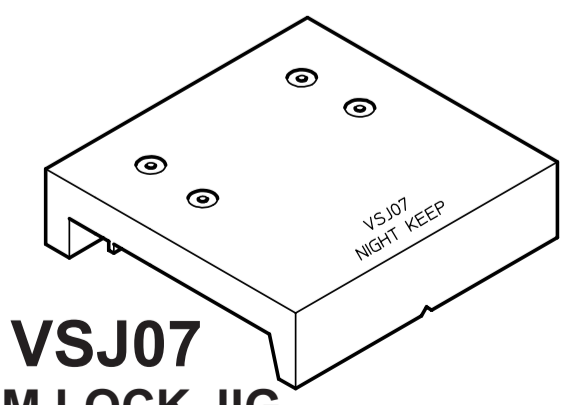
VSJ04
WHITE HANDLE JIG



VSJ05
BOTTOM RAIL JIG



VSJ06
CAM LOCK JIG



VSJ07
CAM LOCK JIG
(NIGHT VENT)