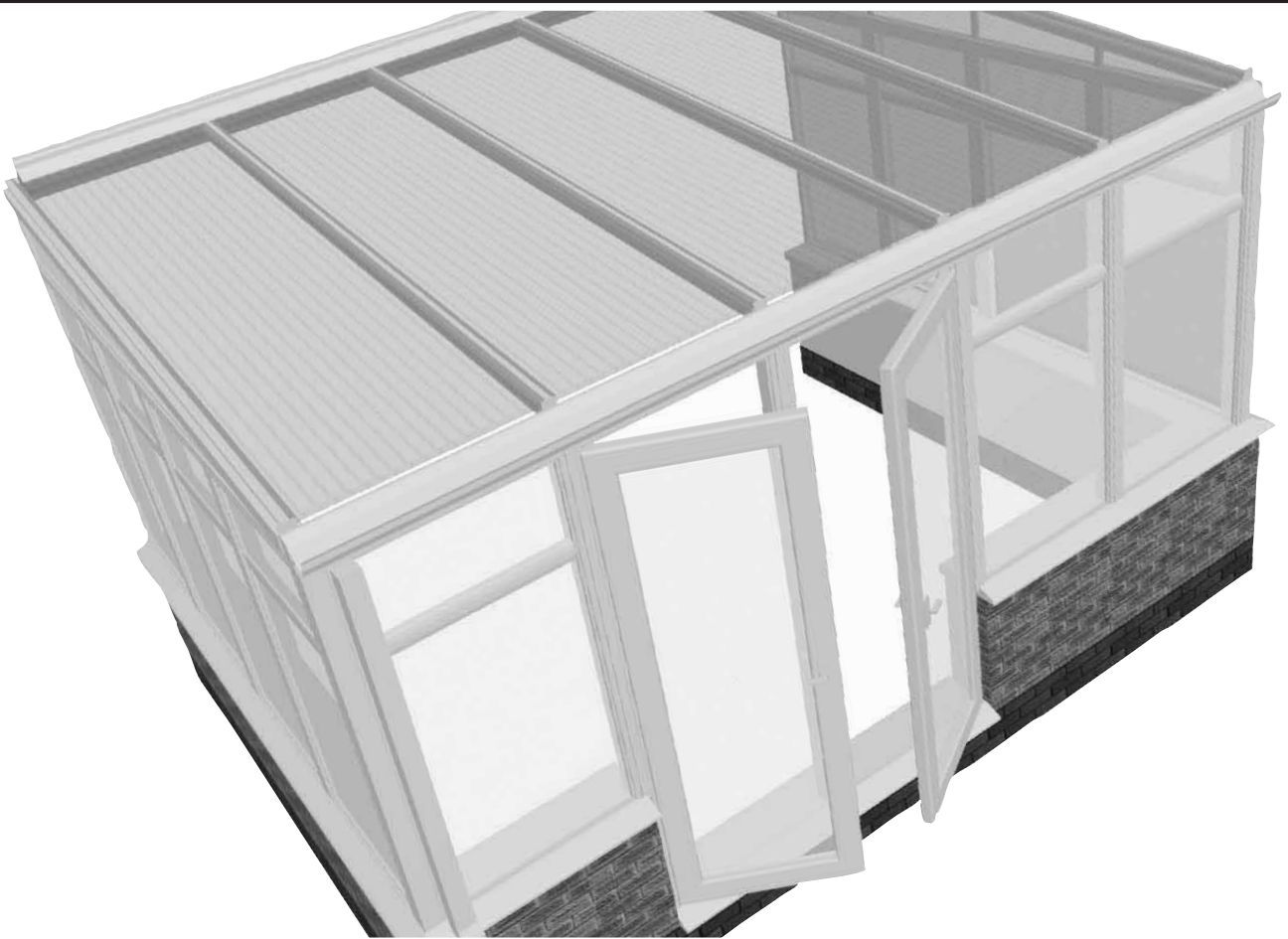


# ultraframe

## Classic Low Pitch Lean-to



### Installation Guide

Version 1.0  
May 2011

## Tools required



8, 10, 13mm  
Socket Spanner



Deadblow  
Hammer or White  
Rubber Mallet



No. 2 Pozidrive Bit



Hack Saw



Drill/Screwdriver



Long nose pliers



Gasket Shears/  
Snips



4.5mm Drill Bit  
10mm Drill Bit



Sealant Gun



2 x 5mm Allen  
Keys (Vic fixing kit)



17mm Open  
Ended Spanner  
- Tie Bars



Spirit Level



Tape Measure



Anglefinder



Plumb bob

Eaves to frame fixings and host wall fixings not supplied.

## General points

Care should be taken when handling components that are seen by the homeowner, as surfaces may be scratched if not handled with care. Choose a suitable area for unpacking the components and always check them before fitting. Any claims for missing or damaged parts are only accepted in line with our standard terms and conditions of sale.

## Health & safety

Site safety is particularly important. The installation company shall be responsible for the safety of all of the fitting team, the customer and members of the public. The Surveyor should have carried out a risk assessment to reduce risk on site and this should have been discussed with you prior to starting. Please use safe working platforms and ladders that comply with BS EN 131. Always use equipment in line with manufacturers recommendations. Personal Protective Equipment – such as goggles, mask and ear defenders – should be used when, for example, grinding out for the flashing.

Careful consideration should be given to the safe disposal of all packaging – Ultraframe packaging is predominantly made from recycled materials and can be readily recycled.

## Product

The roof kit is supplied with a location plan, a quality control check list for the box in which this guide arrives and, of course, this installation guide. The location plan is used to match individual components to their respective position on the roof. Our numbering convention always starts at the top left, against the house wall as you look from outside the conservatory back at the host wall.

The majority of aluminium and PVCu components contain identification codes, usually by inkjetting or labelling – should you need to re-order a part this should help.

## Sealing

It is important to use the correct sealant when sealing the roof.  
1. For Roofs glazed with Polycarbonate (or standard sealed units) a low modulus neutral cure brand of silicone must be used  
2. For roofs glazed with Pilkington Activ or other true 'self cleaning' glass, then MS Polymer sealant such as Rotabond 2000 must be used.

## Sealed Units

All protective handling tape must be removed prior to installation. For the correct selection of sealant please see above

## The Superstructure

Check the Dwarf wall or Plinth for being level all round. Ensure that all frames/bifold doors which abut the host wall are vertically plumb, which will then allow perfect alignment with the Ultraframe eaves beam. Before starting to install the roof, please check the condition of the host wall and whether it's plumb – depending upon what you find, these conditions can seriously affect the final integrity of the roof.

## Technical Support

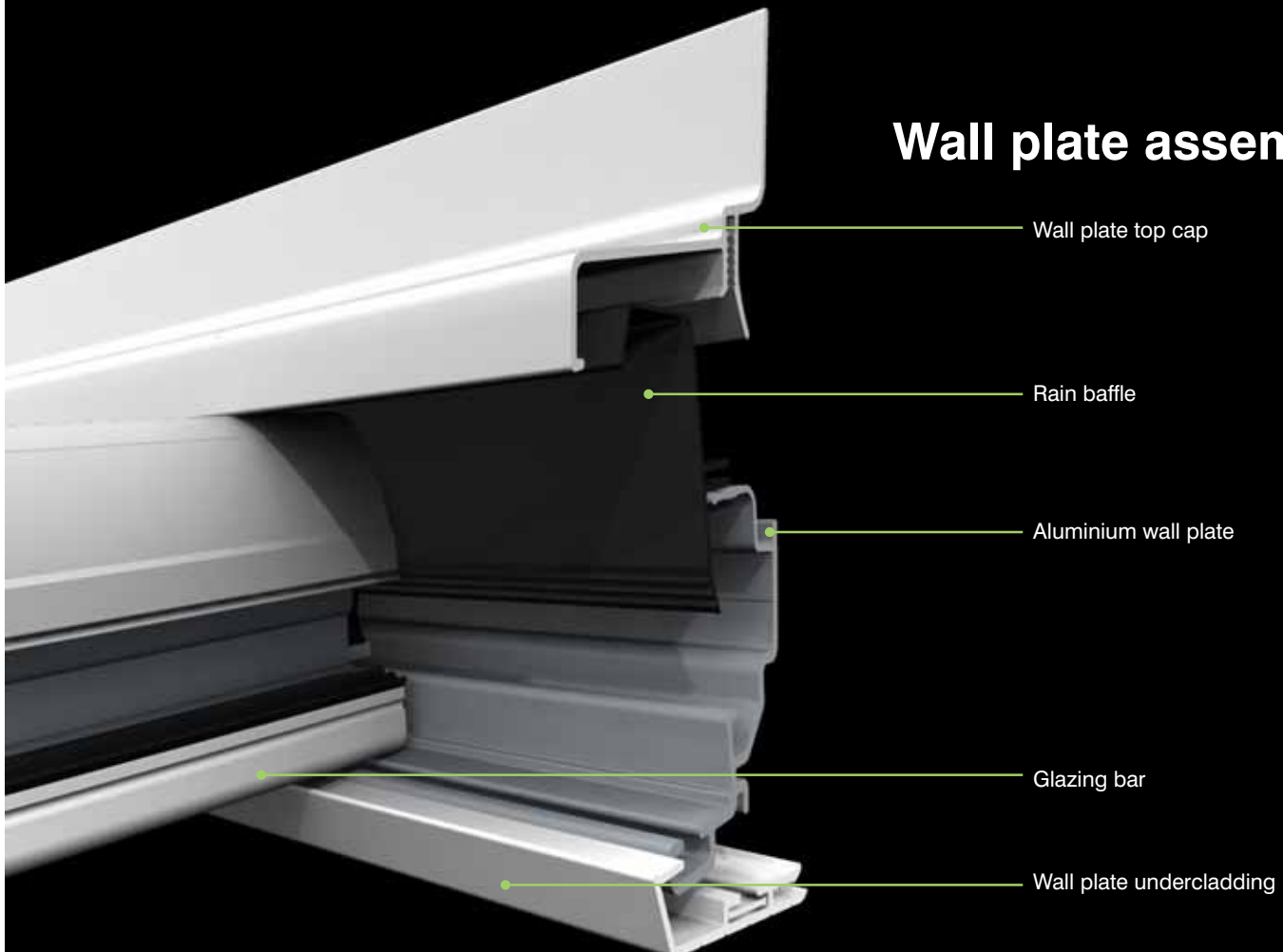
Tel 0843 208 6953  
Fax 0843 208 6952  
Email [techsupport@ultraframe.co.uk](mailto:techsupport@ultraframe.co.uk)

# Product Identification

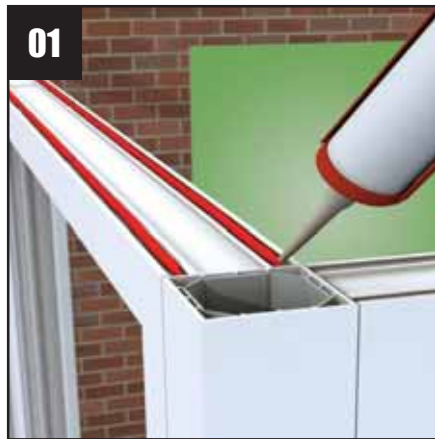
## Eaves assembly



## Wall plate assembly



# Installation (with firrings)



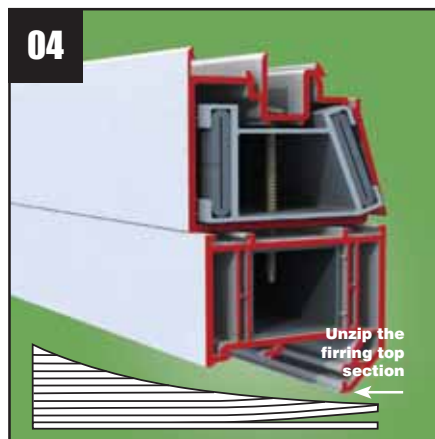
Silicone seal the head of the side frames



Each furring is 45mm longer than the internal frame projection. When cutting the furring, always do this at the back (rear) and ensure that all elements are in aligned.



Unpack and slide in the aluminium box section (if ordered) and, the two pieces of steel re-inforcing (if ordered). If only one section of stage 1 re-inforcing is supplied it usually signifies that this should be used above doors in the side elevation.



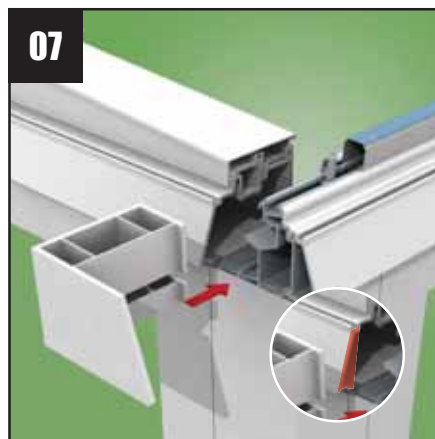
Ensure the inside face of the furring lines up with the internal face of the frame. Drill a 10mm hole through the pvc outer section, drill a 5mm hole through the furring and re-inforcement and secure with screws supplied.



Use the 4.8 diameter x 70mm fixing supplied at 450mm centres and within 200mm of the corners. Now, reassemble the furring by clipping in the bottom edge of the furring top section and roll into place.



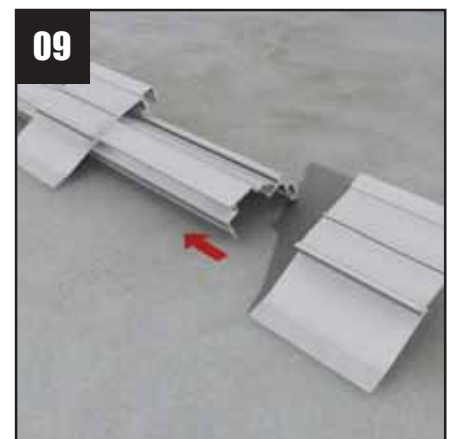
Take the eaves beam and make sure the head of the front frame is siliconed.



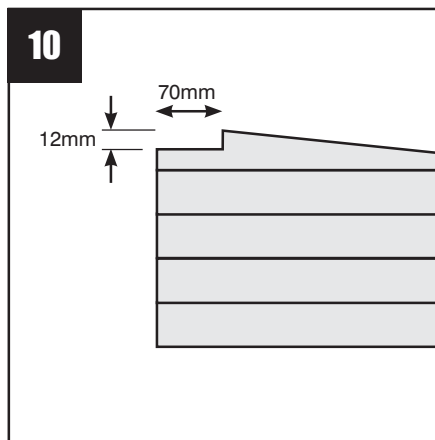
'Butter' with silicone then slide the eaves beam end cap block into place. It will be necessary to silicone seal the area highlighted in the inset image.



Drill a 5mm pilot hole in the head of the frame, fasten down using 4.8 x 32mm screws (not supplied) at 450mm centres. Refit internal claddings. If fastening up through the frames into the eaves beam use 4.8 x 55mm screws.



The aluminium wallplate body has been cut to length and sits **on top of the firrings**. Slide the aluminium carriages supplied with the wallplate onto the main body and space out at approximately 500mm centres.



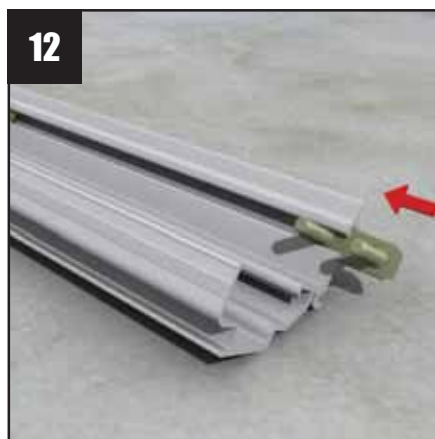
10 Notch out the top of the firring as shown to accommodate the wall plate.



10 Offer the wallplate up to the wall and position it so that the top surface of the bolt slot is level with the top of the firrings.



11 Drill through the wallplate main body and directly through each carriage to suit the masonry anchors being used (not supplied). Mark the position of each masonry anchor on the house wall and drill the house wall to suit.



12 Make sure the appropriate number of roofing bolts are located in the bolt slot of the wall plate before finally fixing the wall plate to the wall.



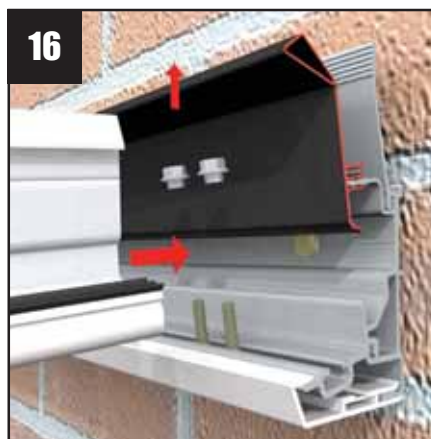
13 Systematically install the masonry anchors at 500mm centres



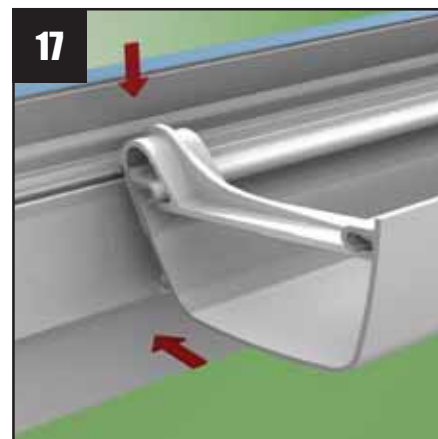
14 Fit the back and main baffle. (It is pre-cut to the external frame dimension - DO NOT CUT). You may want to grind out and fit the flashing. When fitting a starter bar attach it at 500mm centres to firring.



15 Attach undercladding, having first sub assembled the ventilation button (separate installation leaflet provided in vent button kit)



16 Ensure the rain baffle upper leg is lifted prior to placing the glazing bars that fit to the ridge body sides.

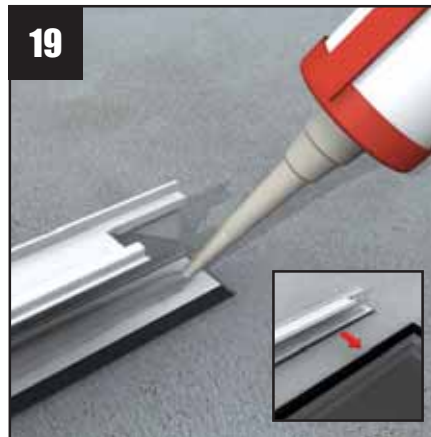


17 Locate the gutter brackets, stop end and stop end outlet and lift into position on the external fascia. Push down to locate the lower leg of the bracket. Assemble the rain water pipe, attach to the gutter and screw to the frame.

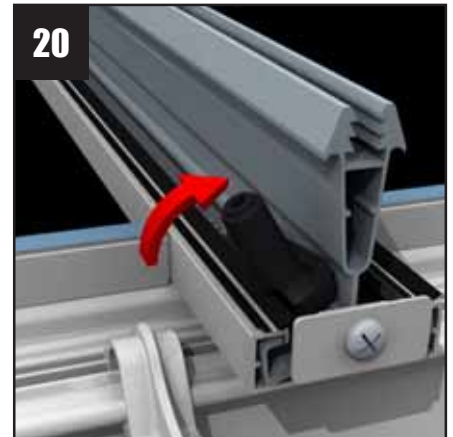
# Installation (with firrings)



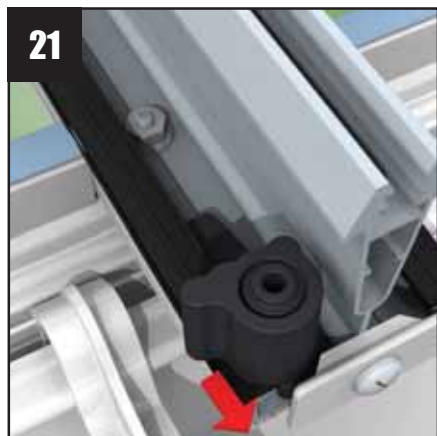
**18**  
Attach all the glazing bars using the location plan provided to check each bars final position with its corresponding label.



**19**  
Run continuous bead of sealant (appropriate for glazing) immediately behind the co-ex gasket and seal the space between the glazing end profile and the glazing at each end. The glazing end profile should be notched for use with glass.



**20**  
Snap off appropriate handed clip. Handing marked on base of clip. Line up the rounded edge on base plate next to central web of glazing bar then tuck neatly under gasket side of bar. Rotate clip into position. Push the grommet over the post as shown.



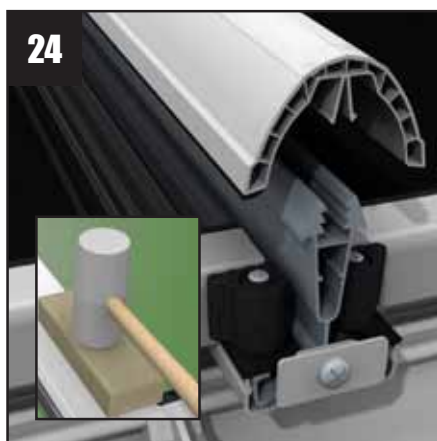
**21**  
Slide the complete assembly down the glazing bar, using the endcap fixing block as the 'stop'.



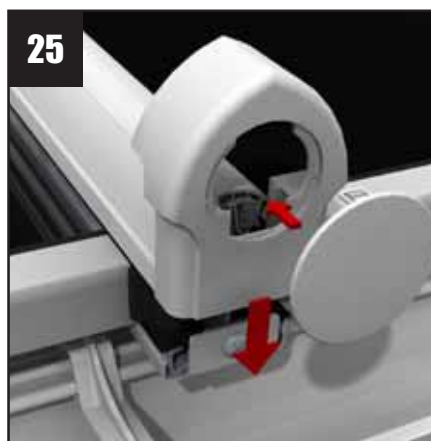
**22**  
Tease the 'tail' of the glazing support trim tape free (ready to be pulled away when the sealed unit is finally in position).



**23**  
Centralise the glazing between the glazing bars. If necessary pack it out on each side - press it down onto the support trim. Using the fixings provided, screw down into the bar as shown.



**24**  
Knock the glazing bar top cappings on with a Deadblow hammer. Work your way across the roof. Once again each capping is numbered according to its position in the roof.



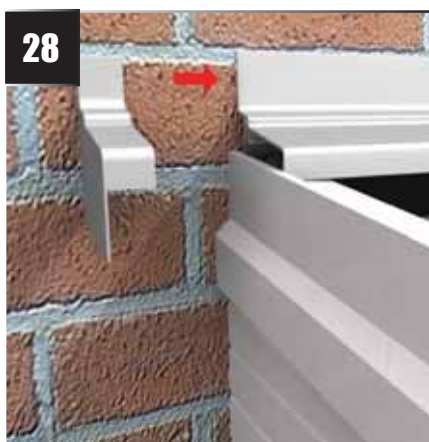
**25**  
Fit the glazing bar end caps by sliding onto the fixing blocks. Push fit the insert into the end cap.



**26**  
Seal along the back edge of the glazing around the top capping where they meet the rain baffle.



**27**  
Cut the pvc wall plate top capping to the overall width of the conservatory (externally) and notch over the top of the lean-to cloaking trim at each end. Push fit the wall plate top capping.



**28**  
Fit the wall plate end caps using sealant.

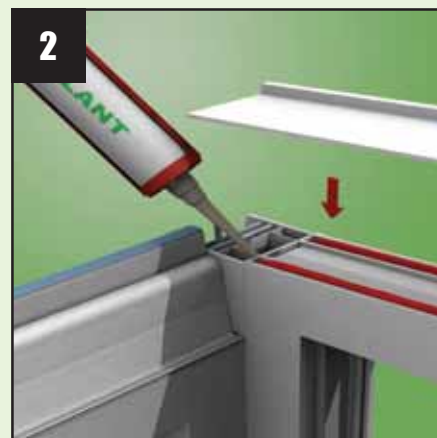


**29**  
Push fit the internal fascia trim into position.

## Installation using Raked Frames



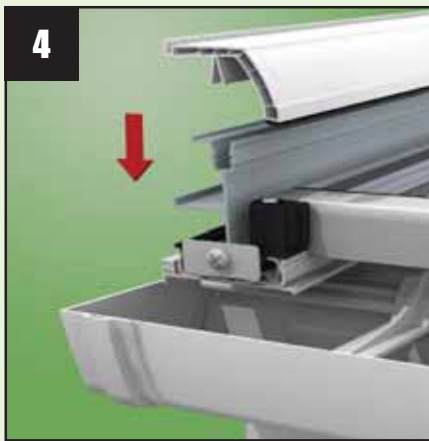
**1**  
Offer the wallplate up to the wall and position it so that the top surface of the bolt slot is level with the top of the side frames.



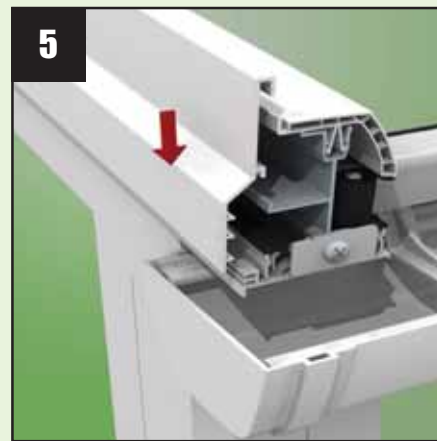
**2**  
Run two beads of silicone along the head of the raked frame prior to fitting the top cap (supplied).



**3**  
Screw fix the glazing bar down into the head of the raked frame at 500mm centres. Continue to fit the glazing as in steps 20-23 in main guide.

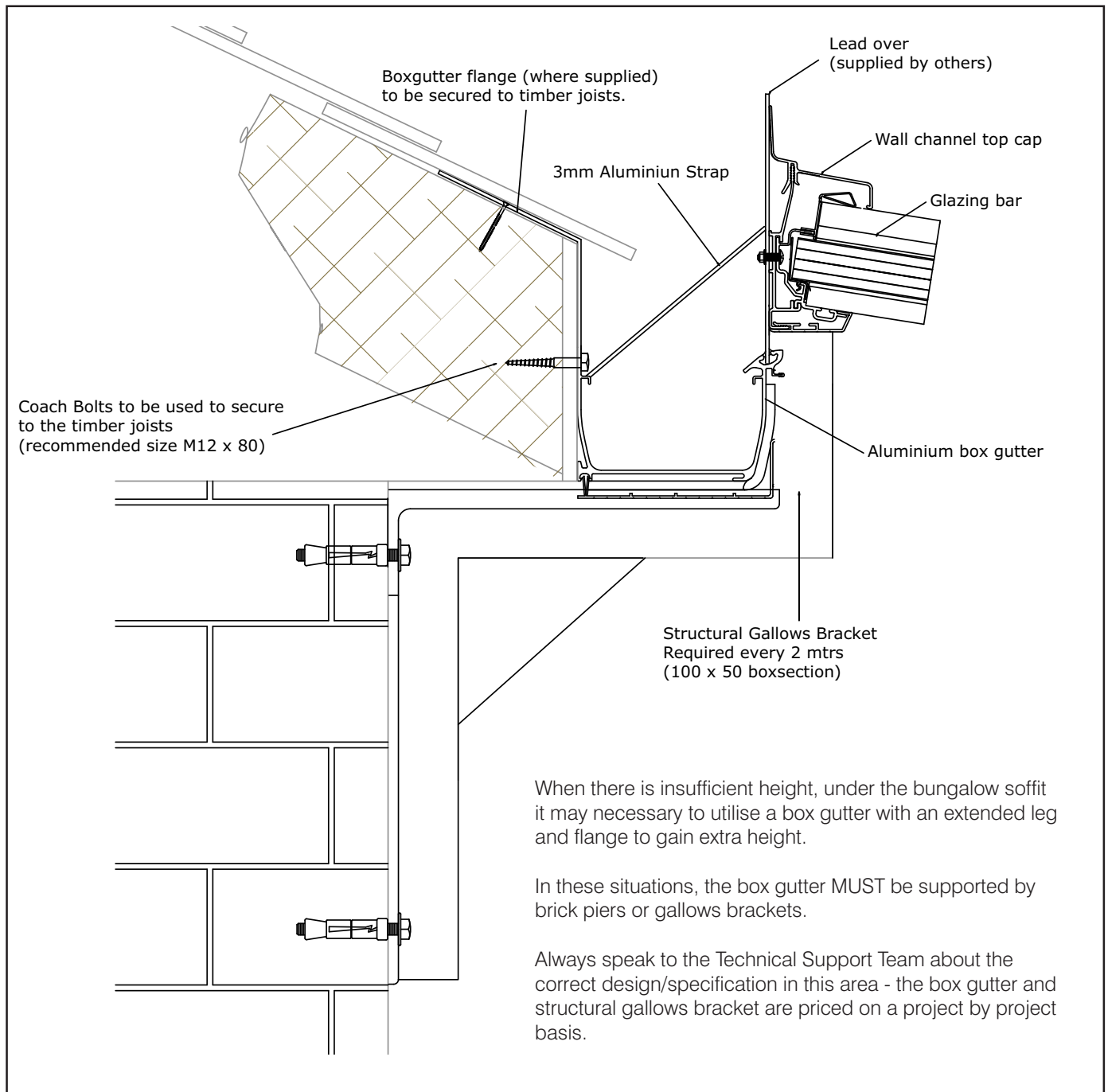


**4**  
Knock the glazing bar top cappings on with a Deadblow hammer. Work your way across the roof. Once again each capping is numbered according to its position in the roof.



**5**  
Hook the cloaking trim over the glazing bar top cap as shown above and clip fit the bottom edge into position.

# Box gutter



It is Ultraframe's policy to continually seek to improve its products, processes and services, and we reserve the right to change specifications without prior notice. Ultraframe is a trading name of Ultraframe (UK) Limited.

# ultraframe

Ultraframe (UK) Ltd, Salthill Road, Clitheroe, Lancashire. BB7 1PE

Ultraframe is a trading name of  
Ultraframe (UK) Ltd.

[www.ultraframe.co.uk](http://www.ultraframe.co.uk)

CL116001 v1.0 0810