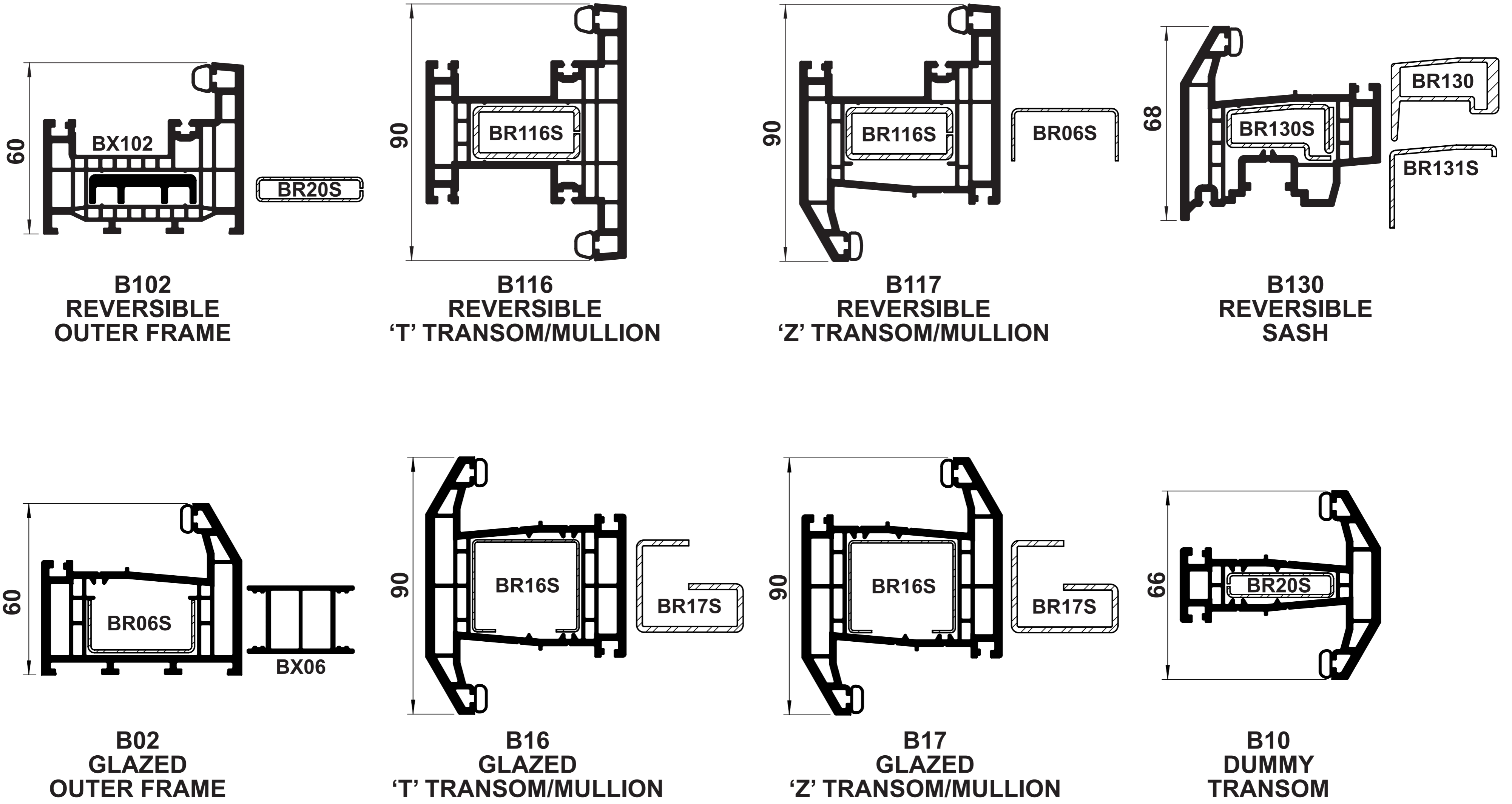
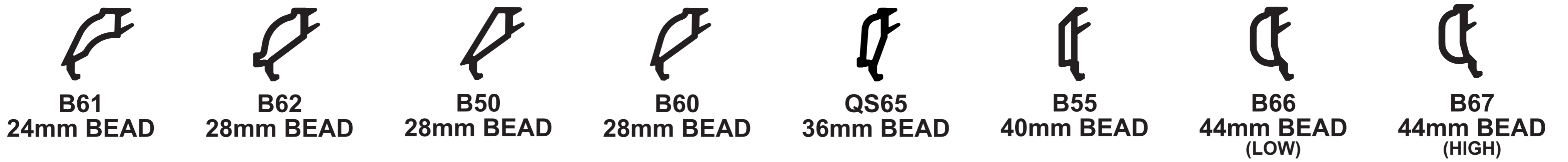


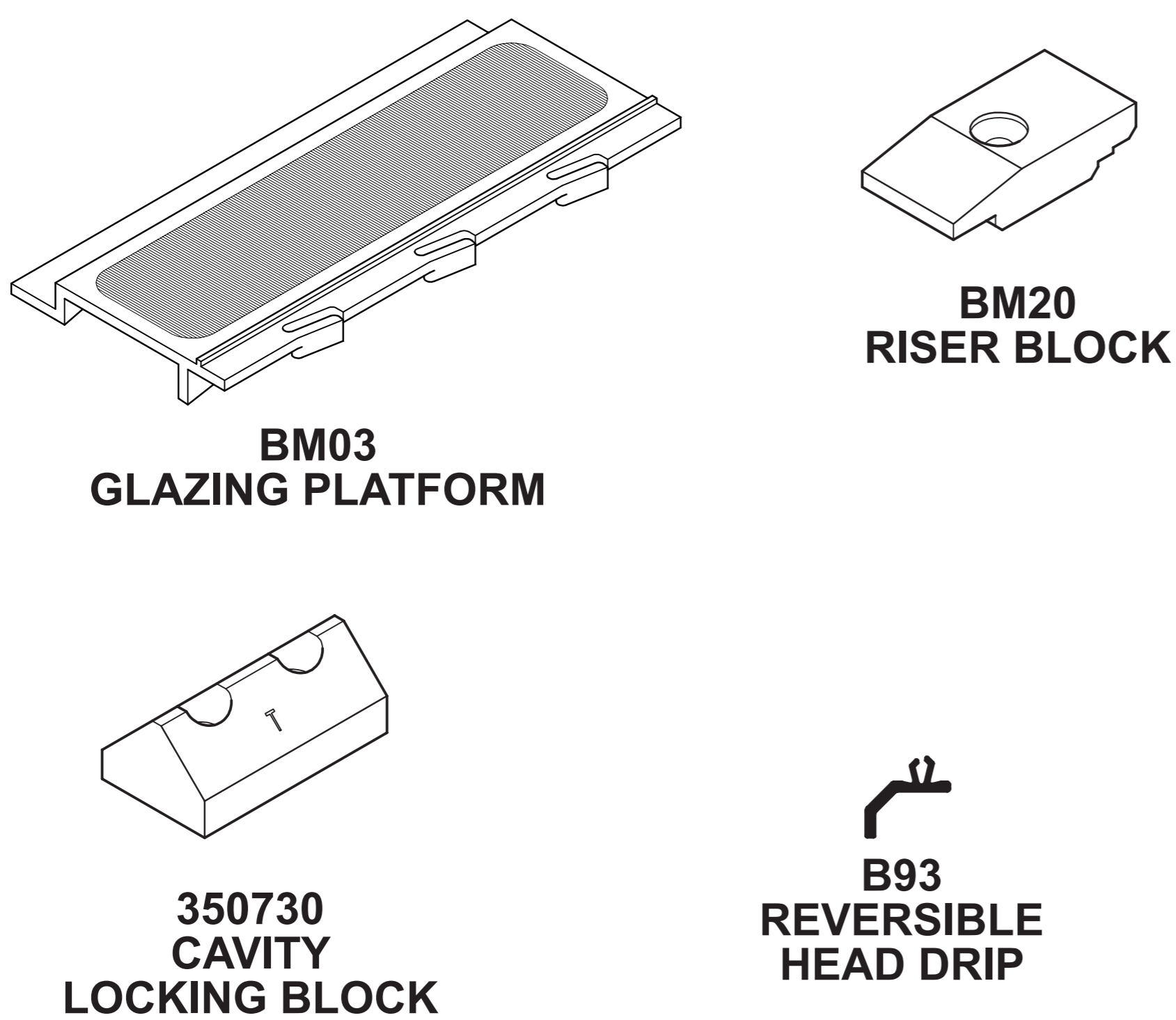
MAIN PROFILES & REINFORCEMENTS



GLAZING BEADS



ANCILLARIES



GASKETS & WEATHERSEALS

