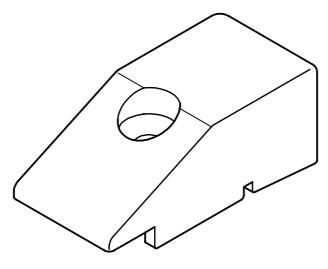
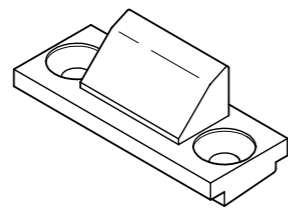


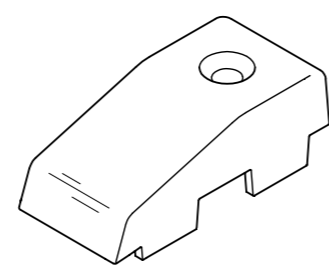
FUNCTIONAL COMPONENTS



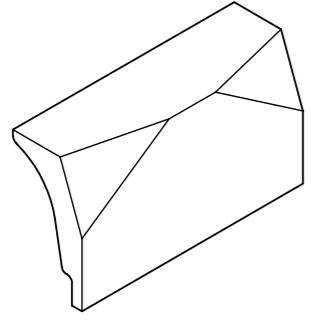
BM01
RISER BLOCK



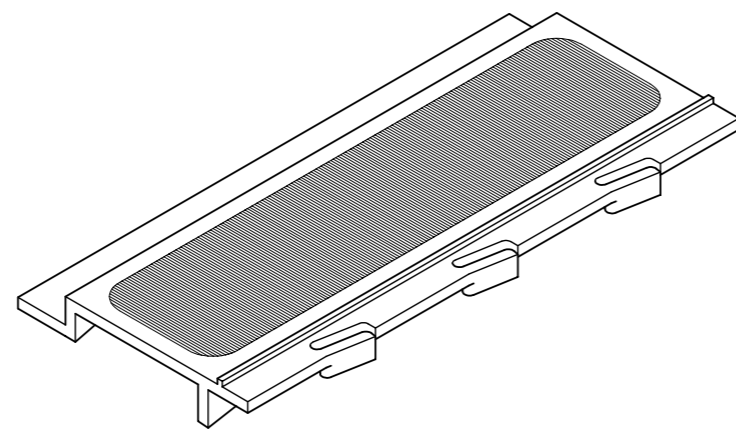
BM02
CAVITY LOCKING BLOCK



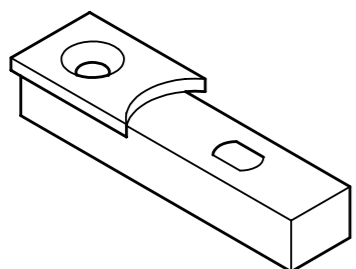
BM12
RISER BLOCK (PAS 24)



BM05
COCKSPUR WEDGE (OVOLO)



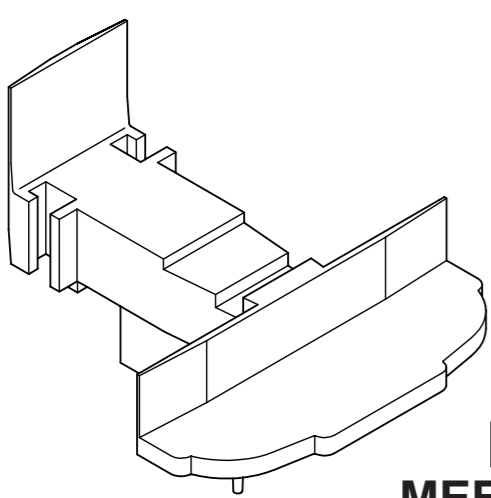
BM03
GLAZING PLATFORM



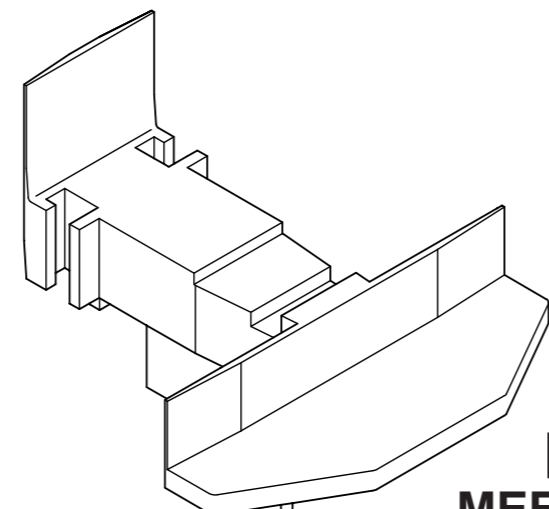
205067
FRICTION STAY SUPPORT BLOCK (PAS 24)



TB01
THERMAL BARRIER

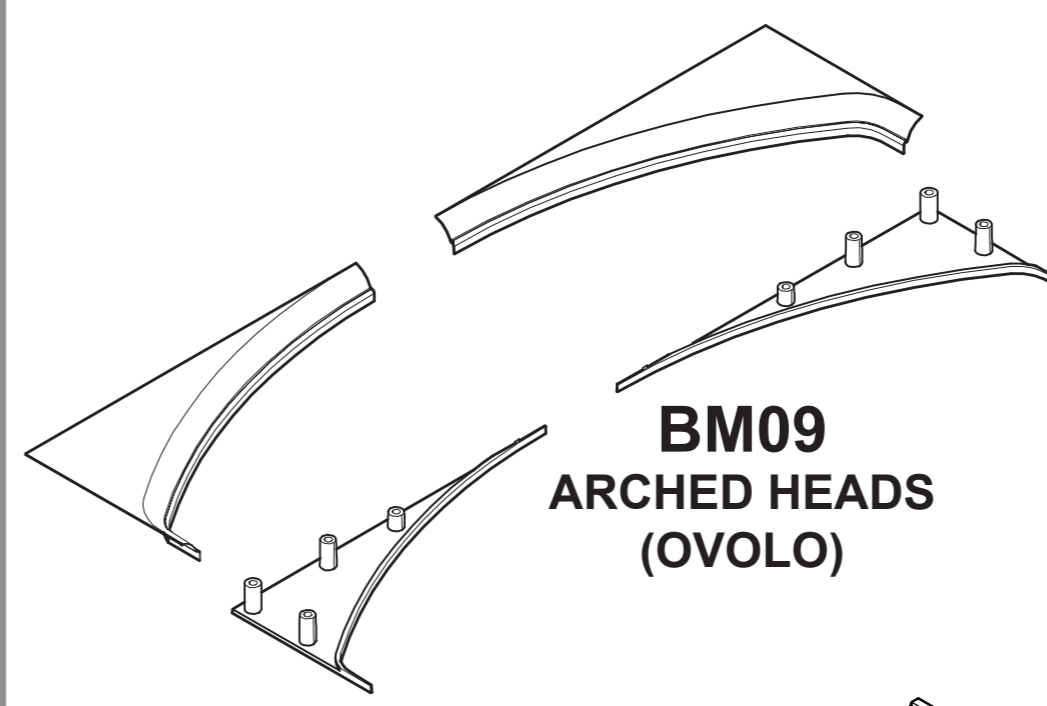


BM04
MEETING RAIL END CAP OVOLO

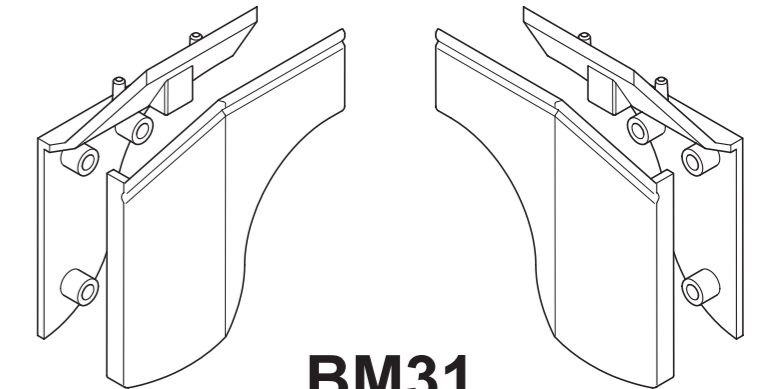


BM14
MEETING RAIL END CAP BEVELLED

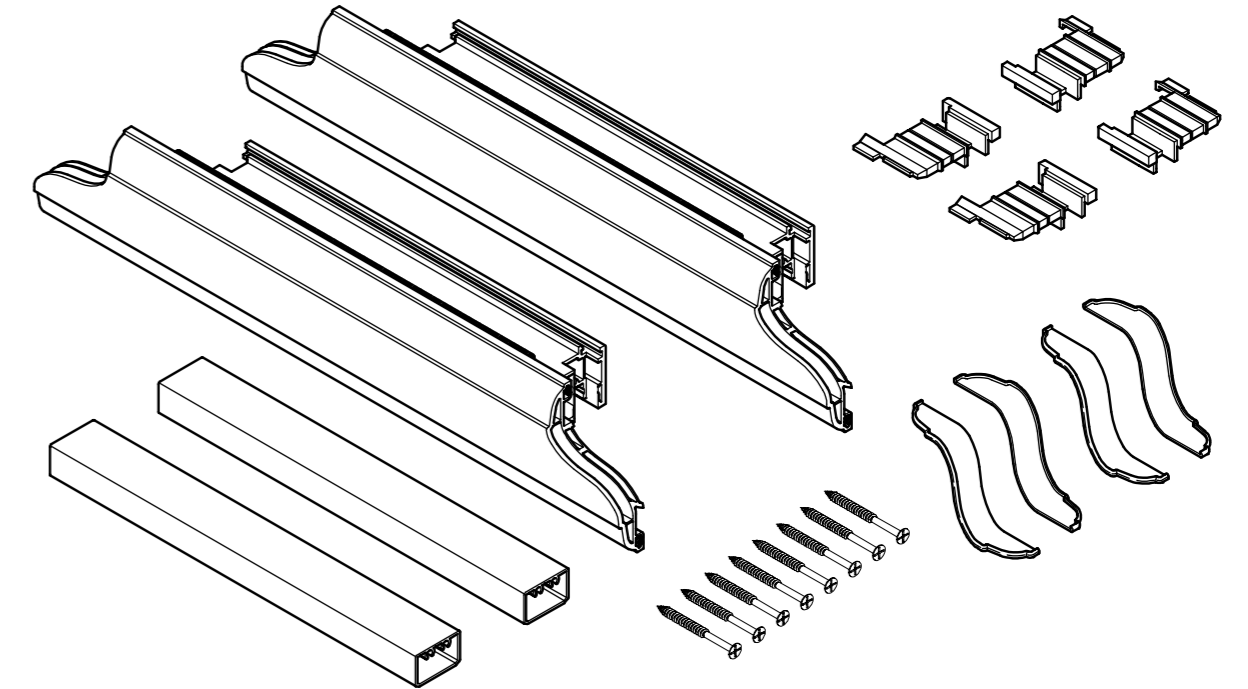
DECORATIVE COMPONENTS



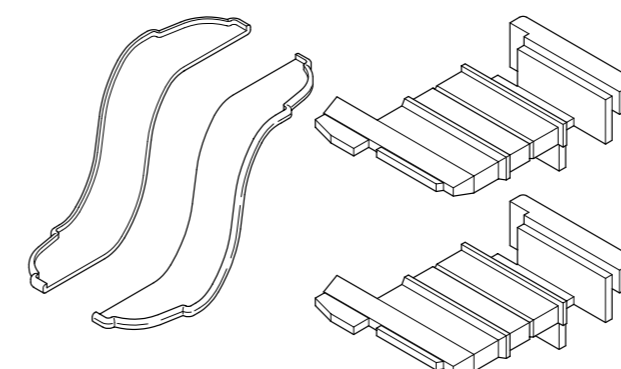
BM09
ARCHED HEADS (OVOLO)



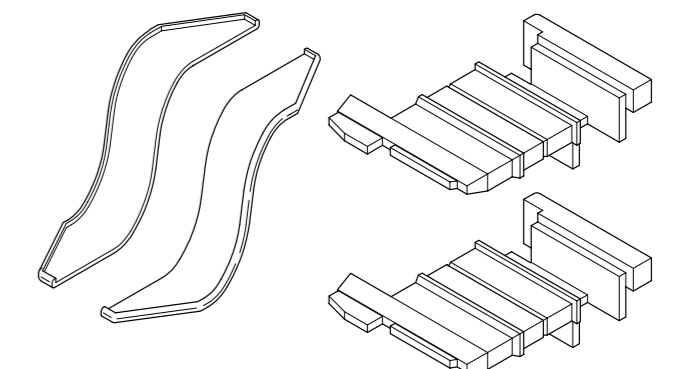
BM31
FACE FIXED SASH HORNS (BEVEL)



SHK70/B35/W & SHK70/B30/W
OVOLO (shown) & BEVELLED SASH HORN KITS

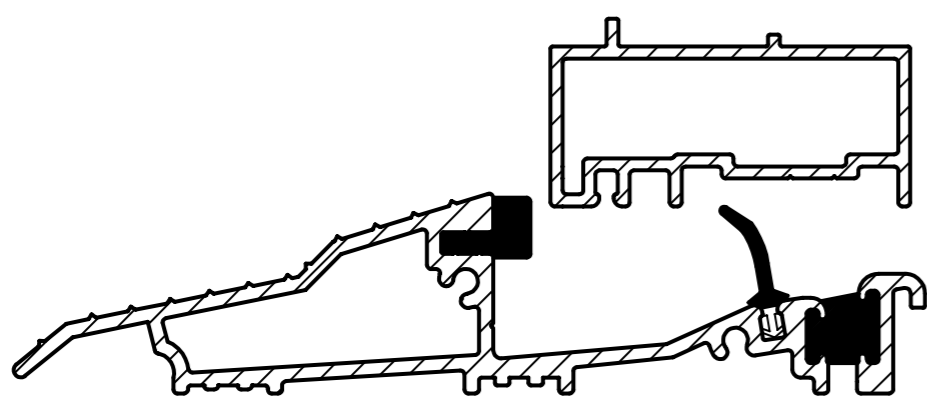


BM07
OVOLO SASH HORN MOULDINGS & END CAPS

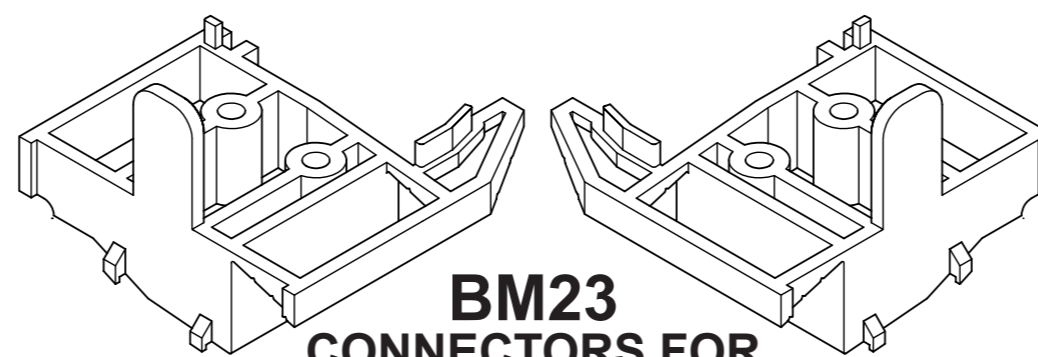


BM30
BEVELLED SASH HORN MOULDINGS & END CAPS

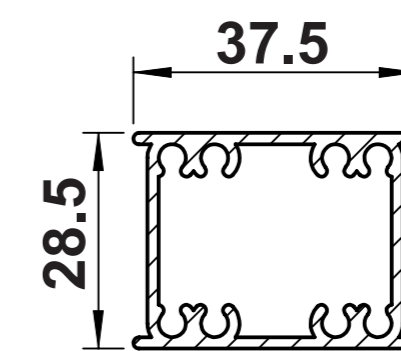
THRESHOLDS & ASSOCIATED DOOR COMPONENTS



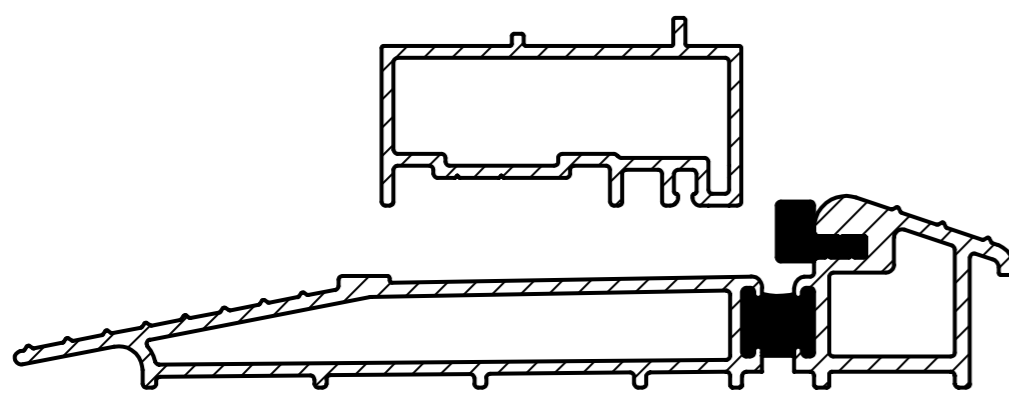
AM3
OPEN IN LOW THRESHOLD



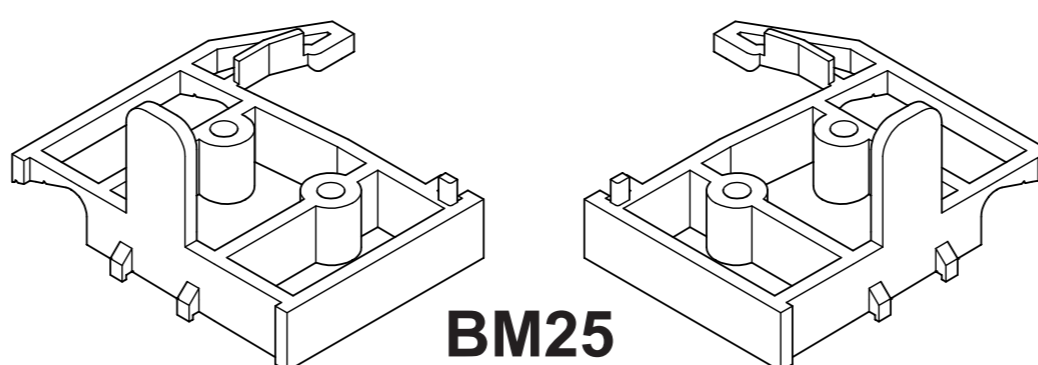
BM23
CONNECTORS FOR AM3 THRESHOLDS



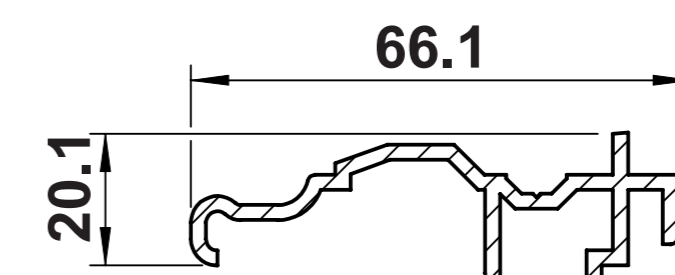
BR08
LOW THRESHOLD MECHANICAL JOINT REINFORCEMENT



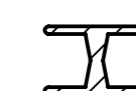
AM5EX
OPEN OUT LOW THRESHOLD



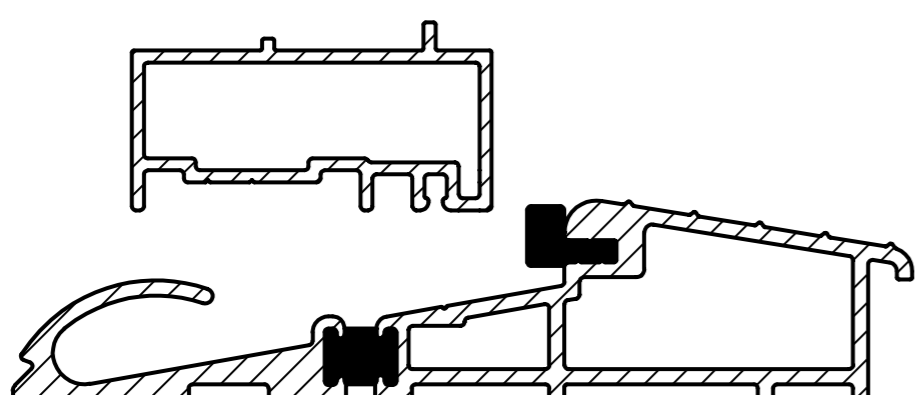
BM25
CONNECTORS FOR AM5EX THRESHOLDS



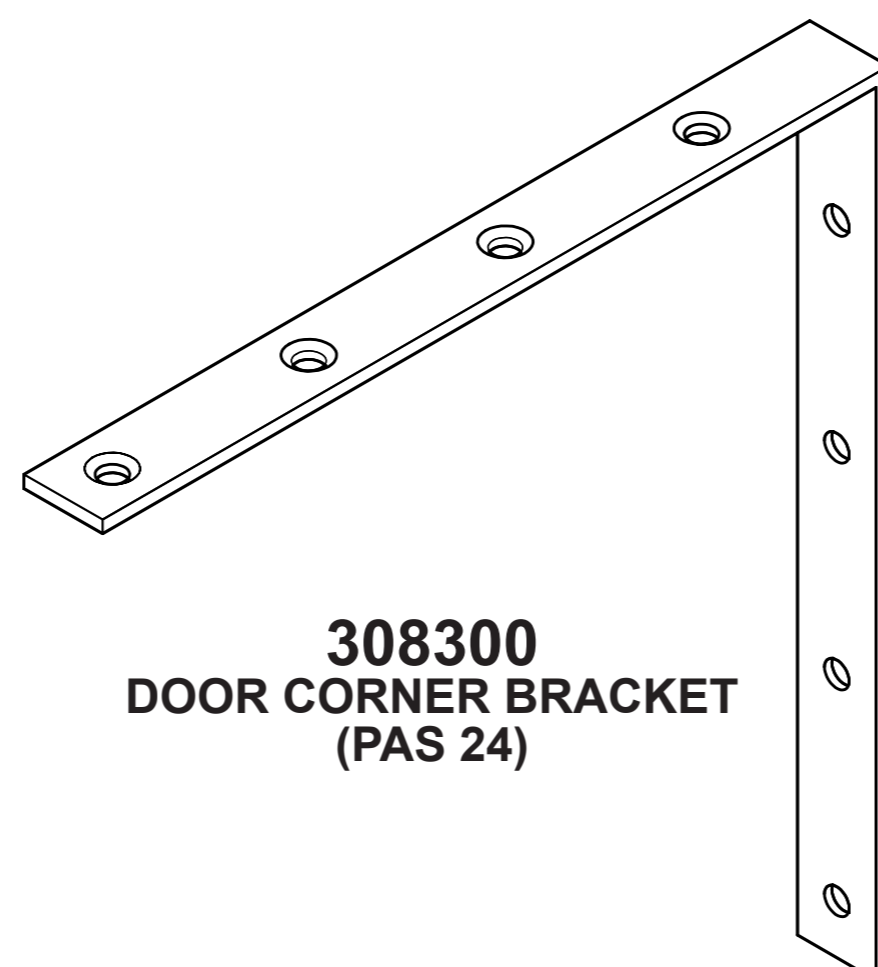
BR41
FRENCH DOOR MEETING RAIL ADAPTOR



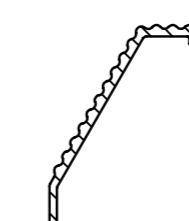
BR42
DOOR SASH HINGE REINFORCEMENT (PAS 24)



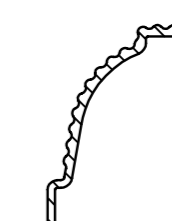
AM5
OPEN OUT LOW THRESHOLD



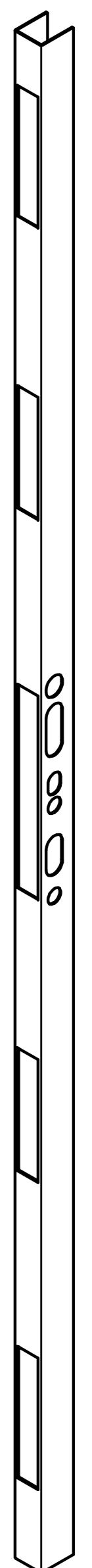
308300
DOOR CORNER BRACKET (PAS 24)



BT03
BEVELLED TREAD STRIP



BT07
OVOLO TREAD STRIP



PRE-PUNCHED LOCK STEELS